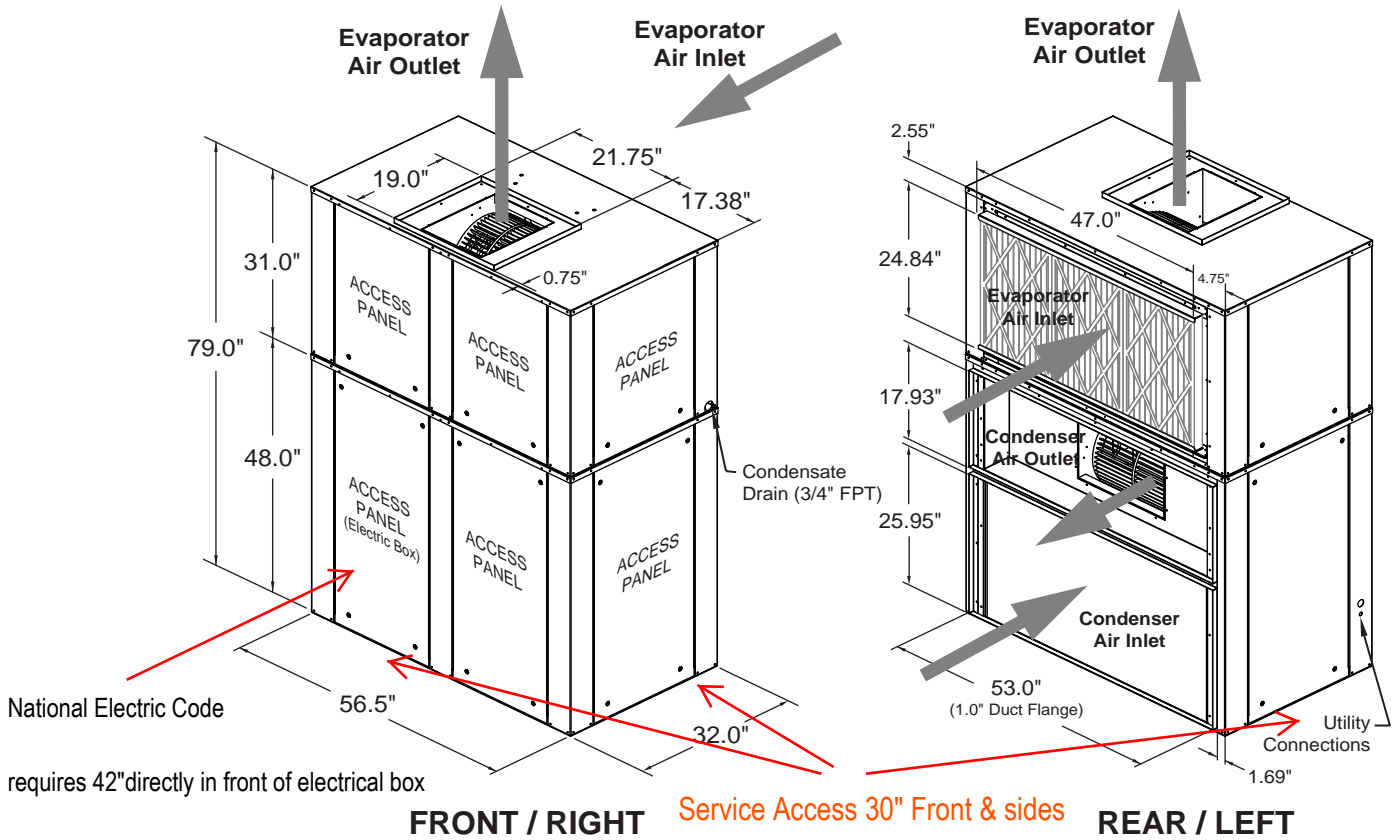


UNIT DIMENSIONS: Convertible-Vertical™

2 to 10 Ton - (PCA-024, 036, 048, 060, 096 & 120-V) Chilled Water - Self-Contained Vertical A/C - Top Evap Discharge



2 to 10 Ton - (PCA-024, 036, 048, 060, 096 & 120-V) Chilled Water - Self-Contained Vertical A/C - Front Evap Discharge

