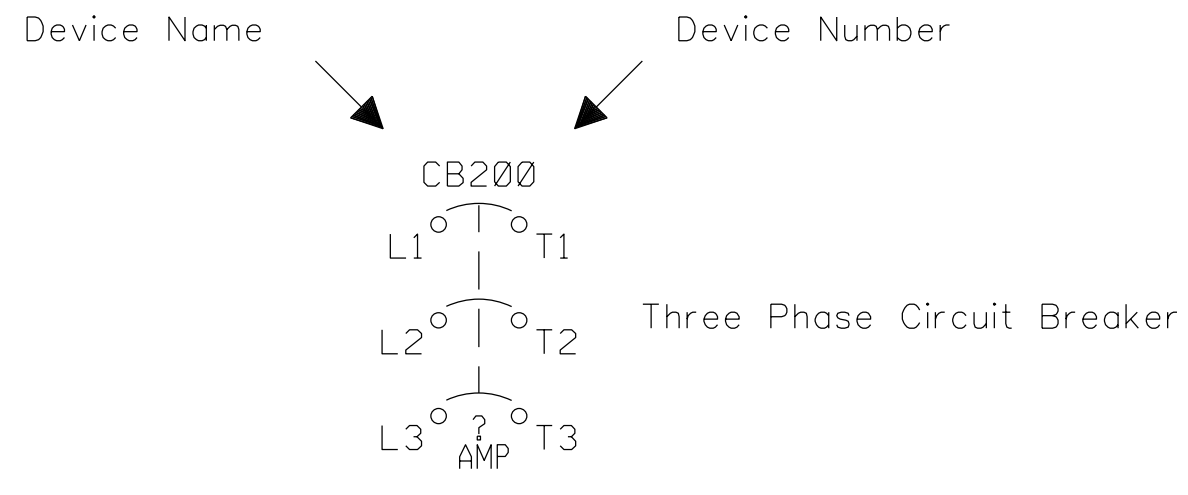
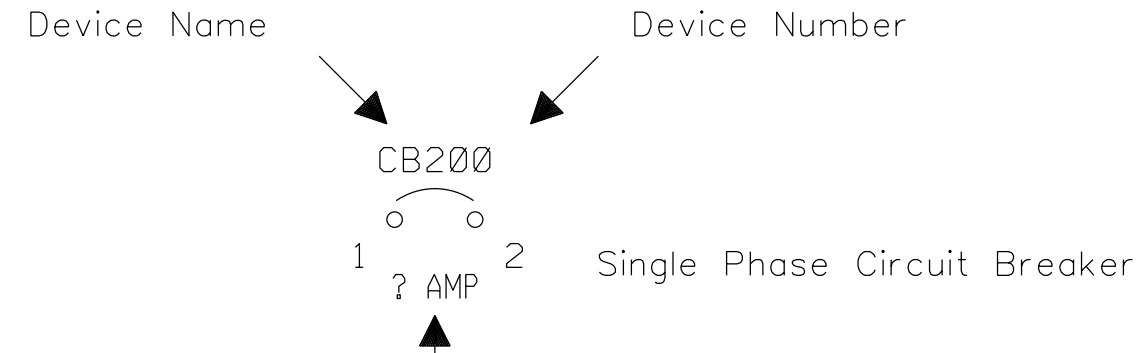


TABLE OF CONTENTS

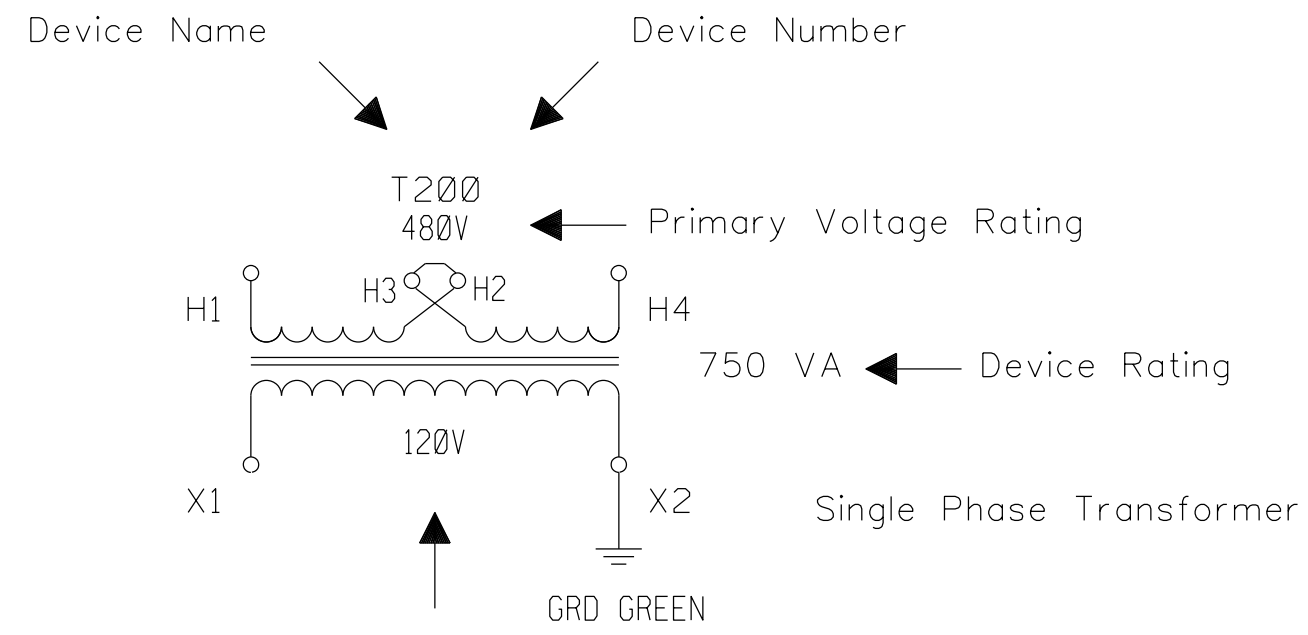
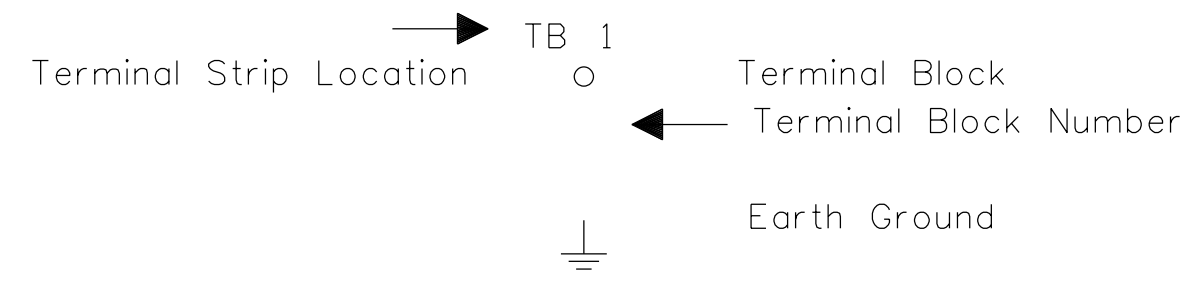
INSTALLATION NAME	DESCRIPTION	NUMBER OF PAGES
INFO	CONTAINS TABLE OF CONTENTS AND DEVICE KEY	1 - 2
CONTROLPANEL	ELECTRICAL SCHEMATICS AND PANEL LAYOUTS	3 - 5



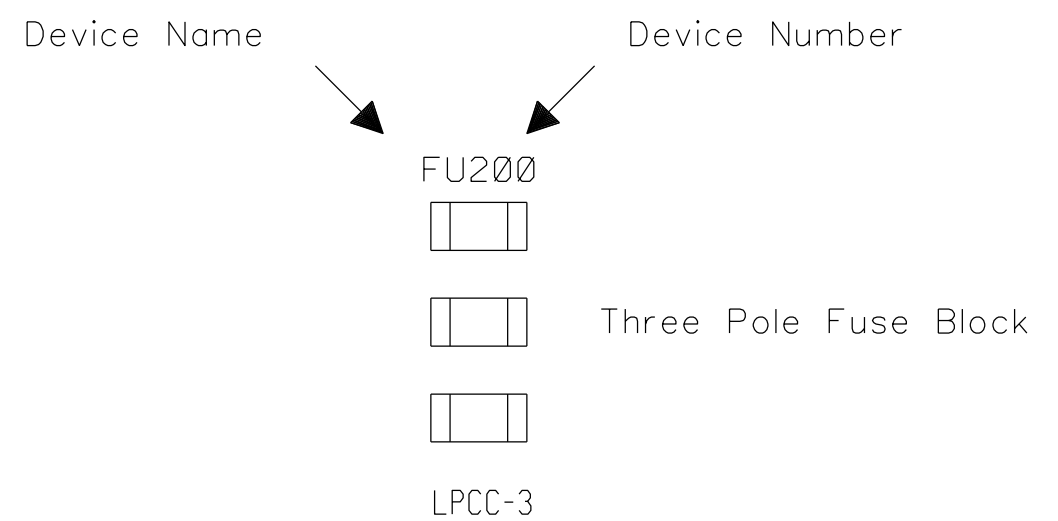
Device Rating



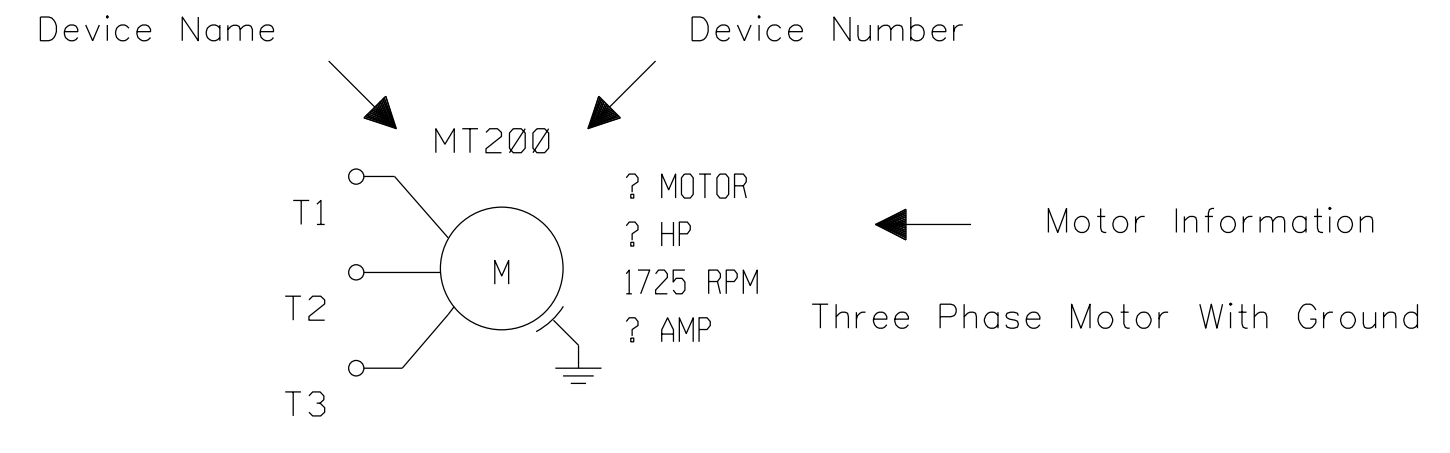
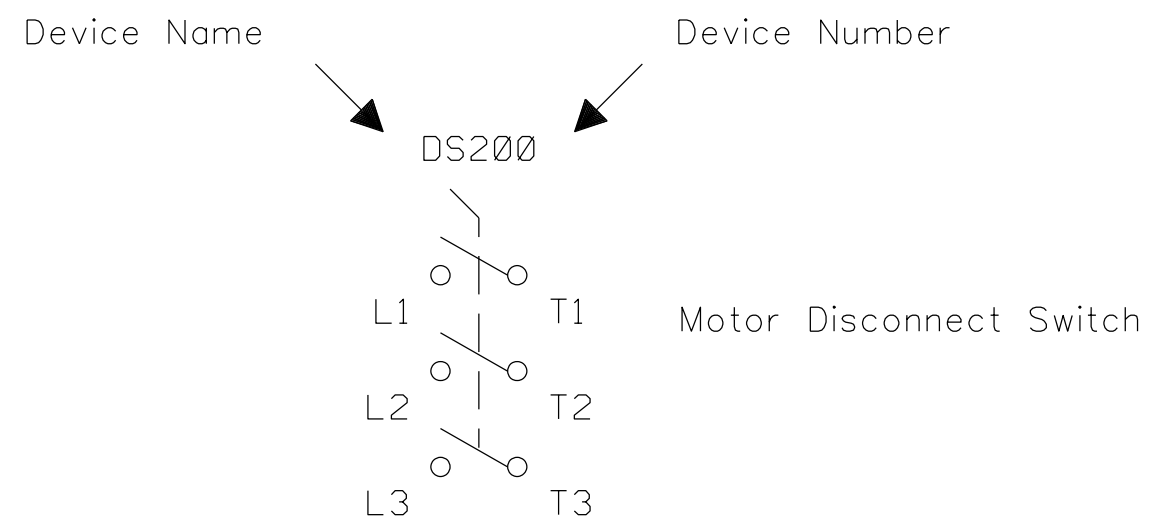
Device Rating



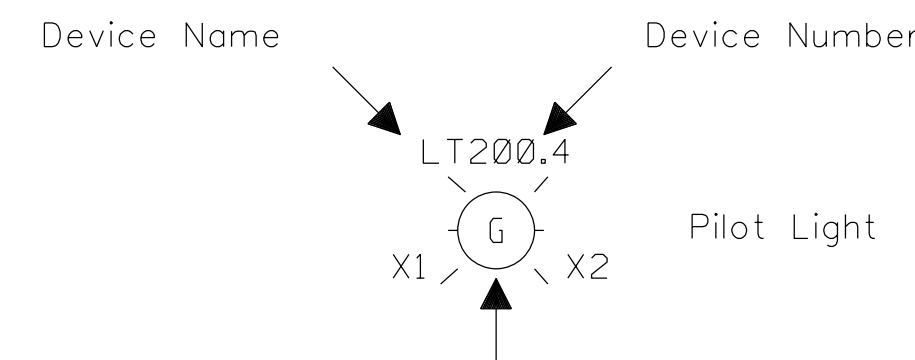
Secondary Voltage Rating



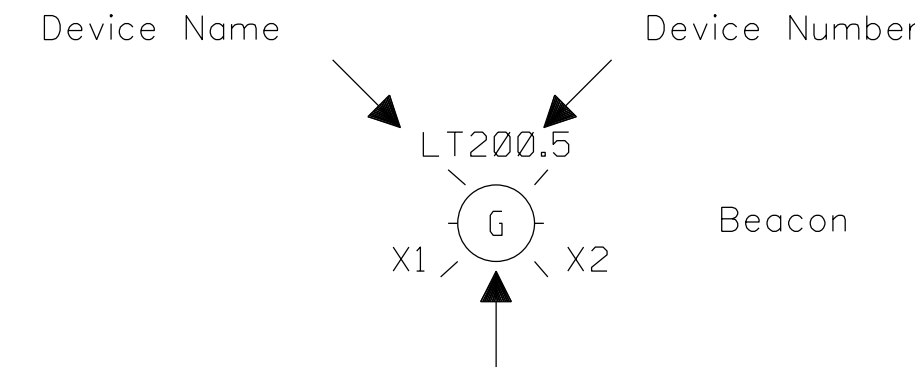
Replacement Fuse Rating Common To All Poles



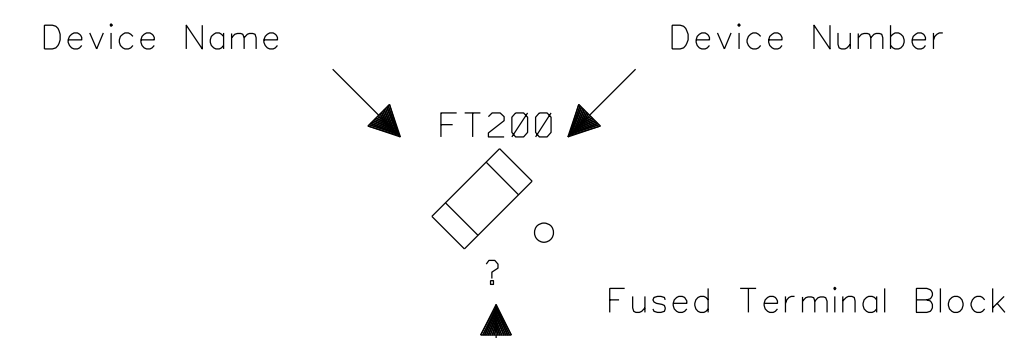
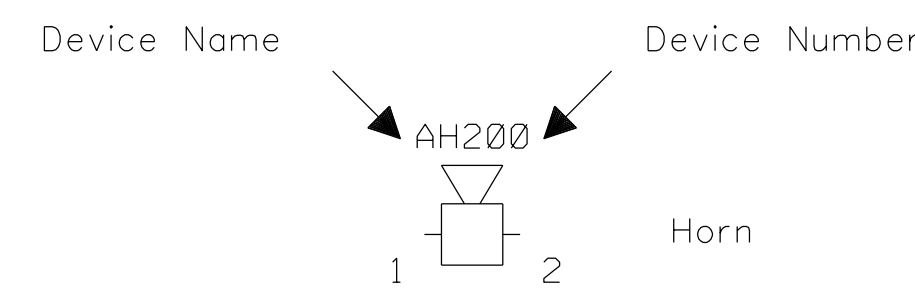
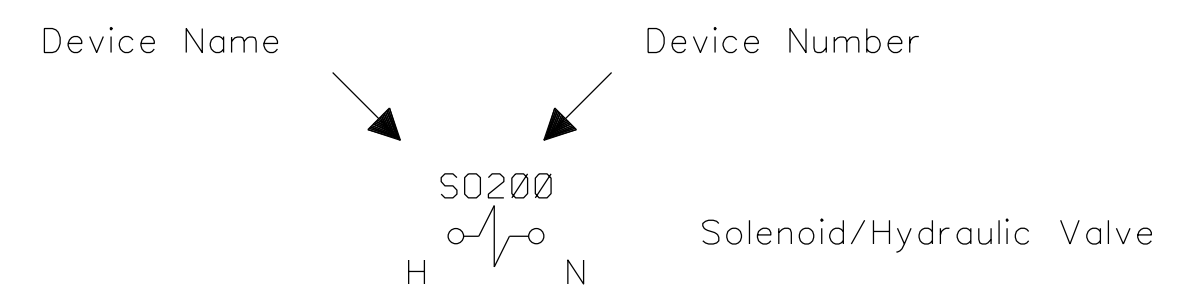
Motor Information



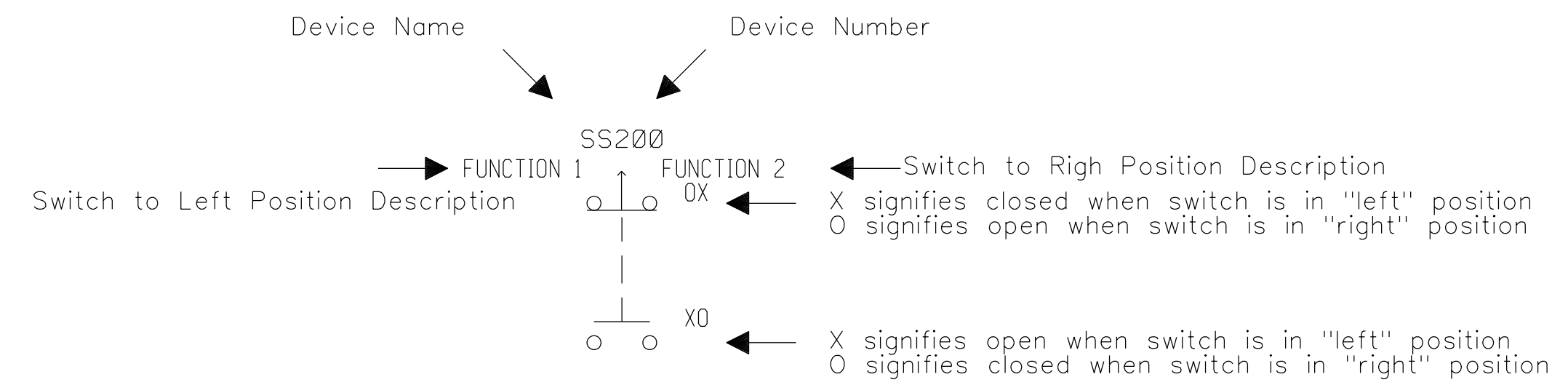
Lens Color



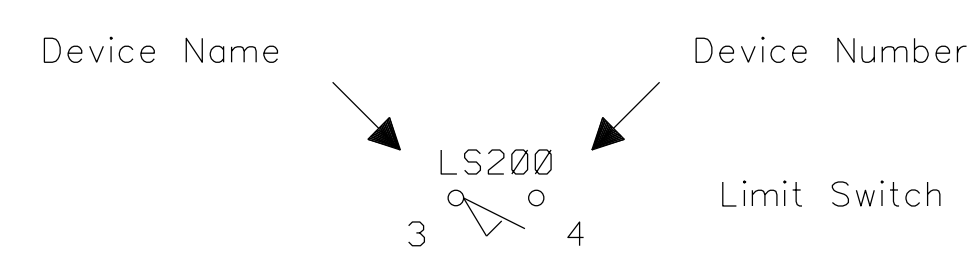
Lens Color



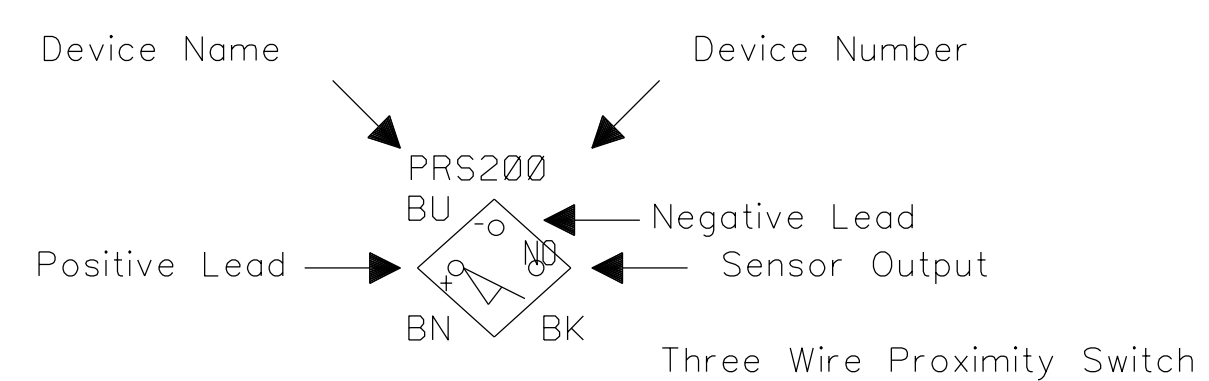
Replacement Fuse Rating



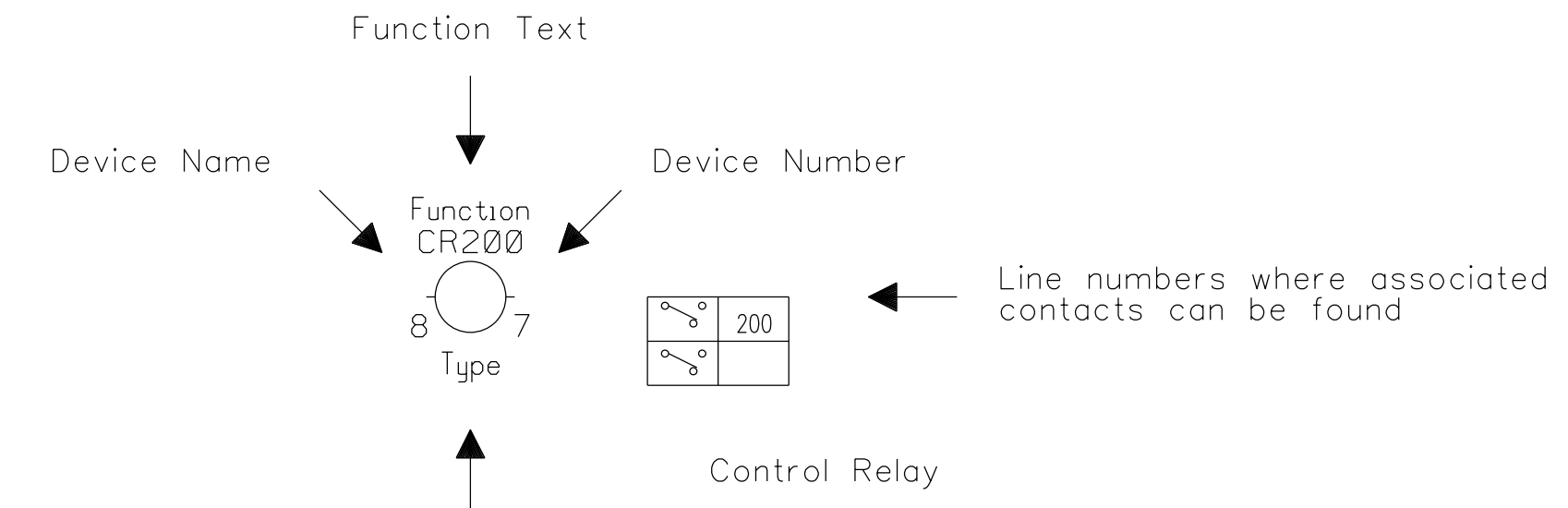
Selector Switch



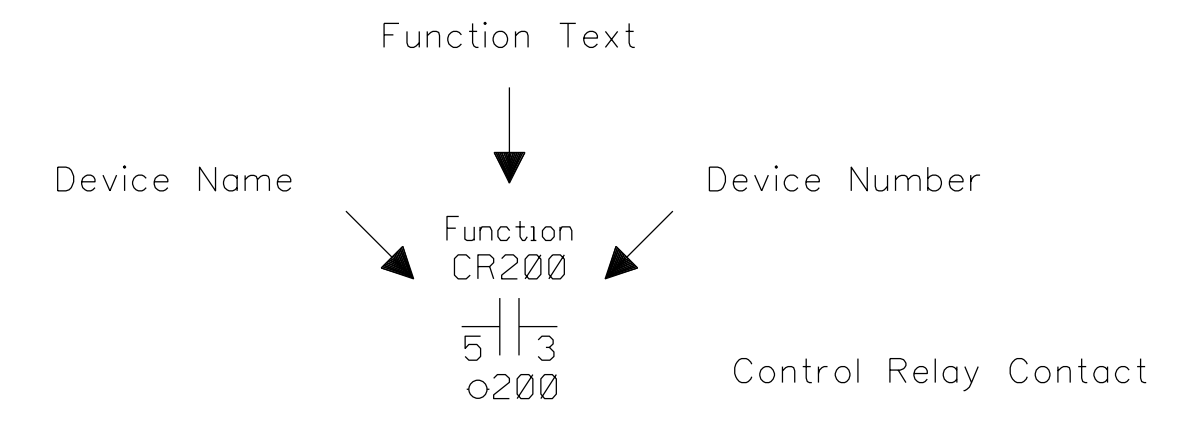
Limit Switch



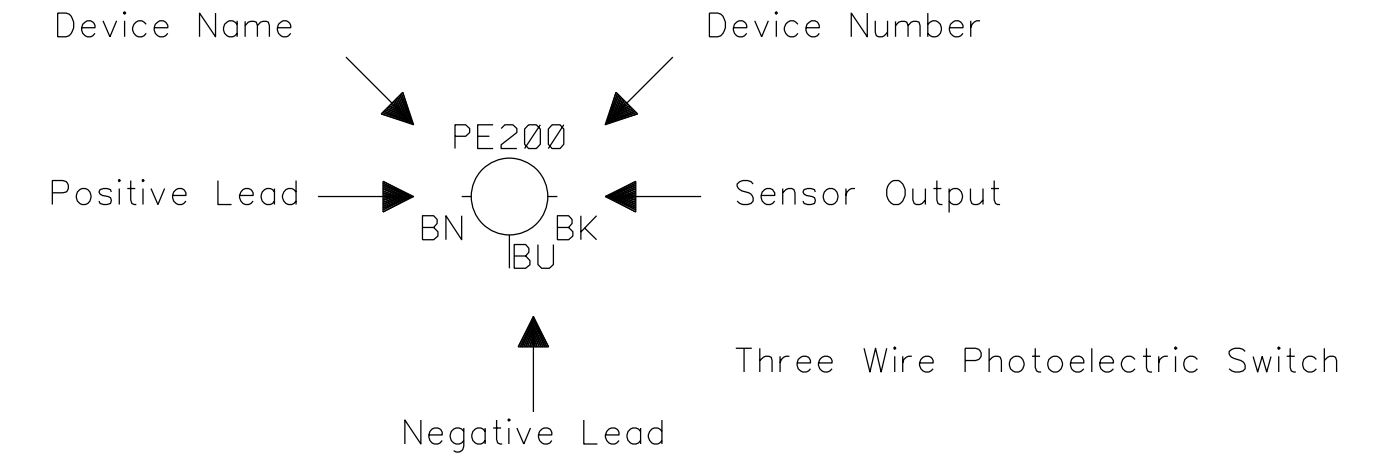
Three Wire Proximity Switch



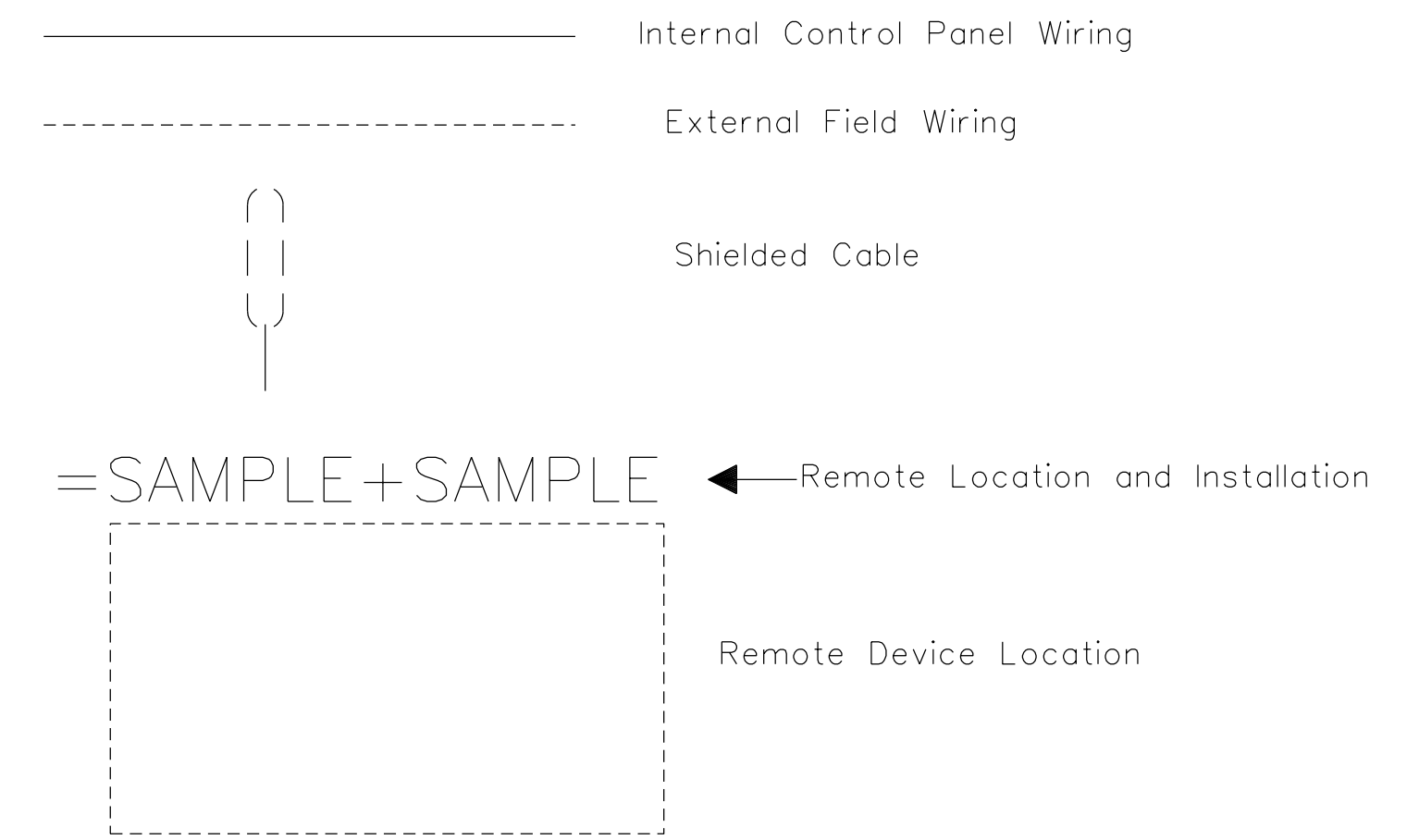
Device Ratings



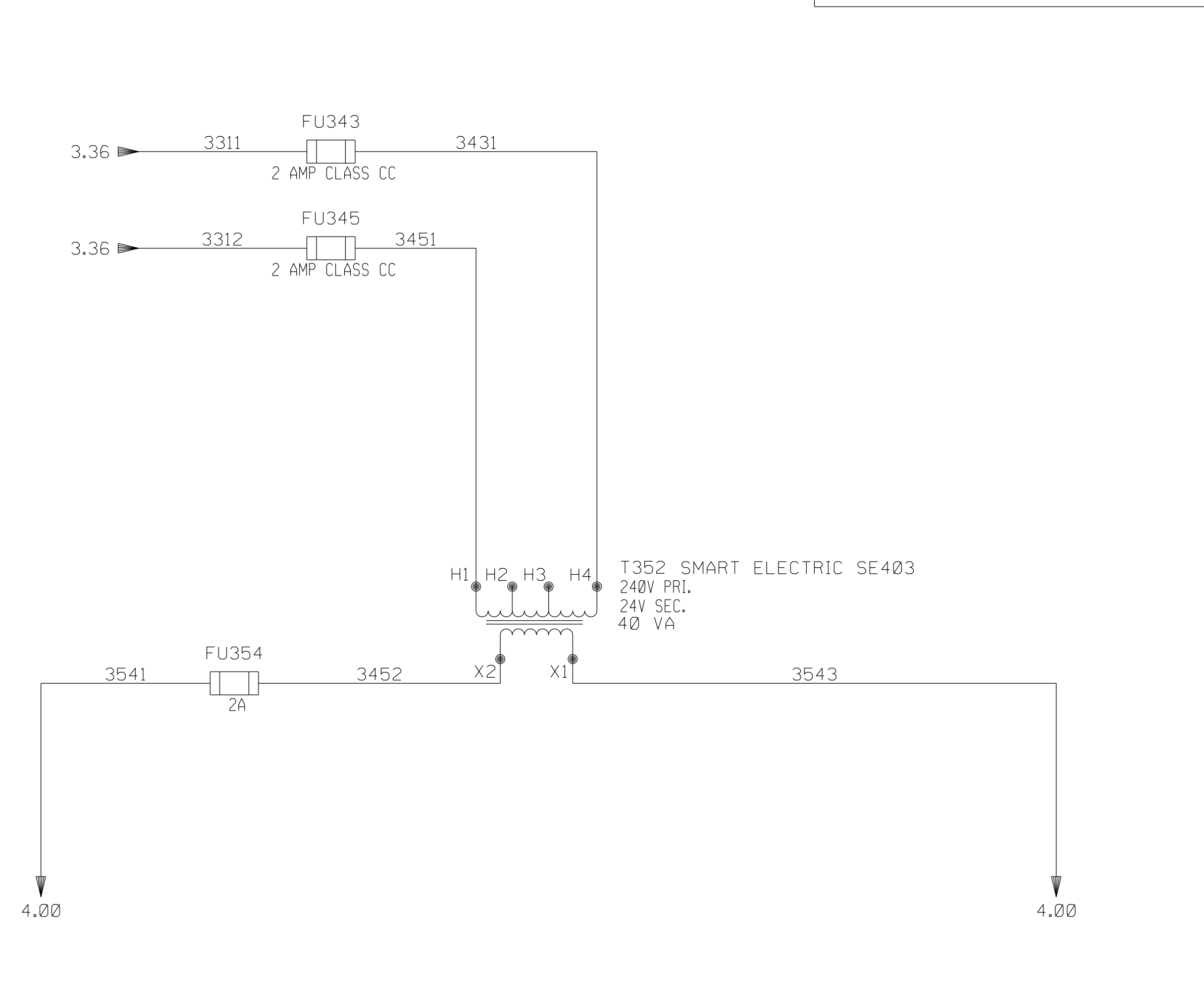
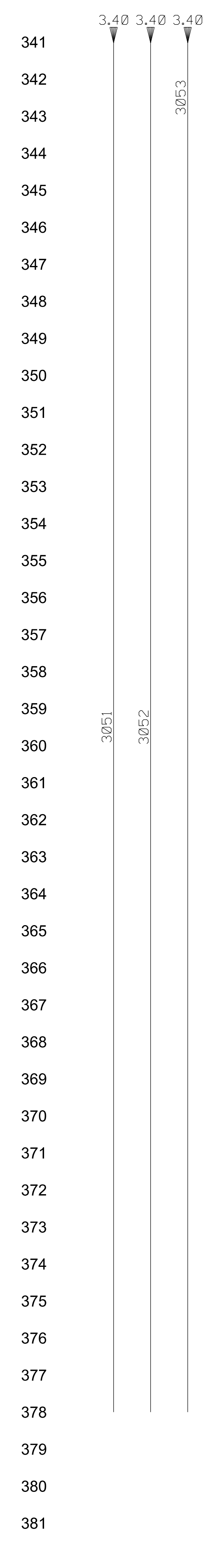
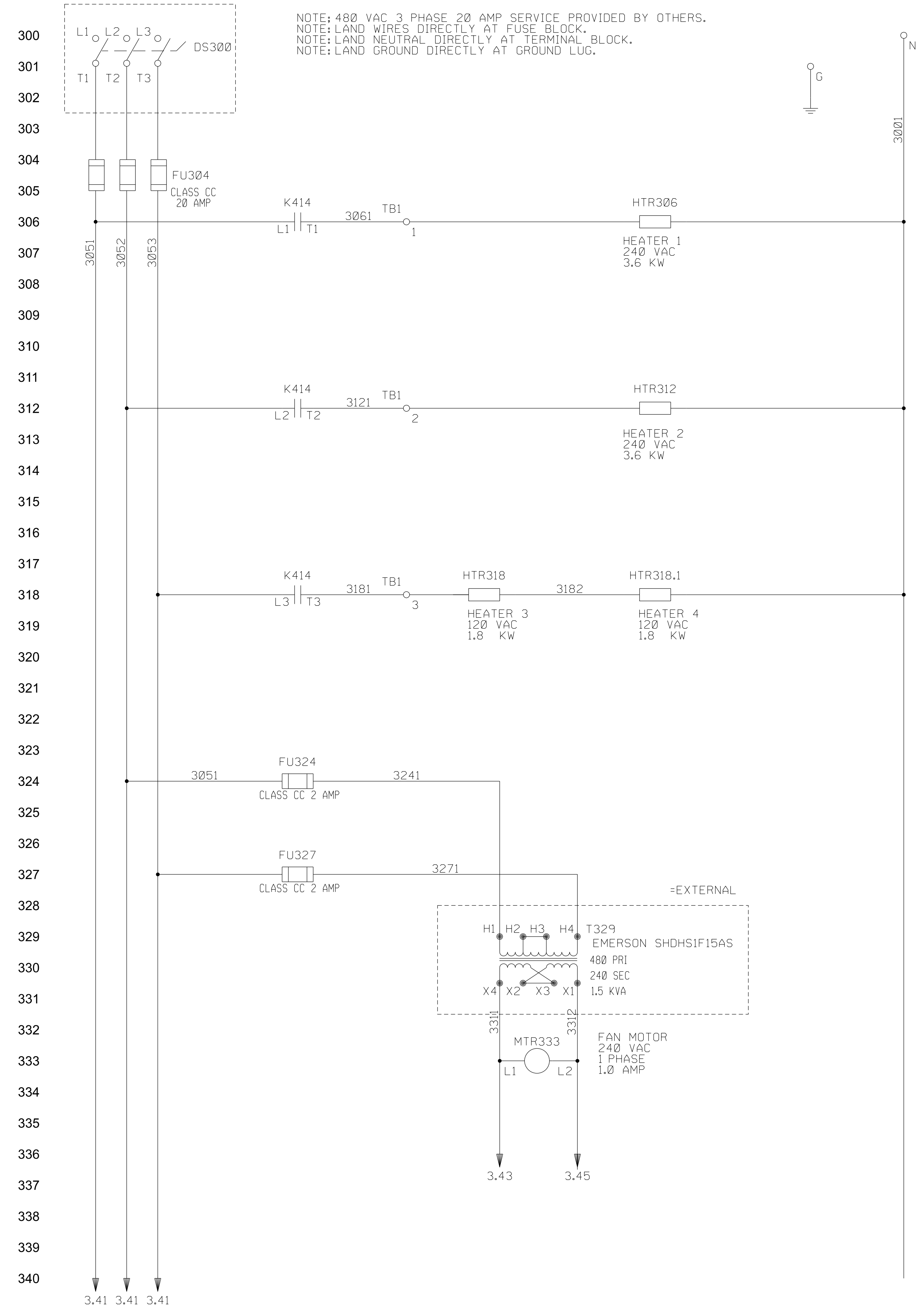
Parent Coil Location

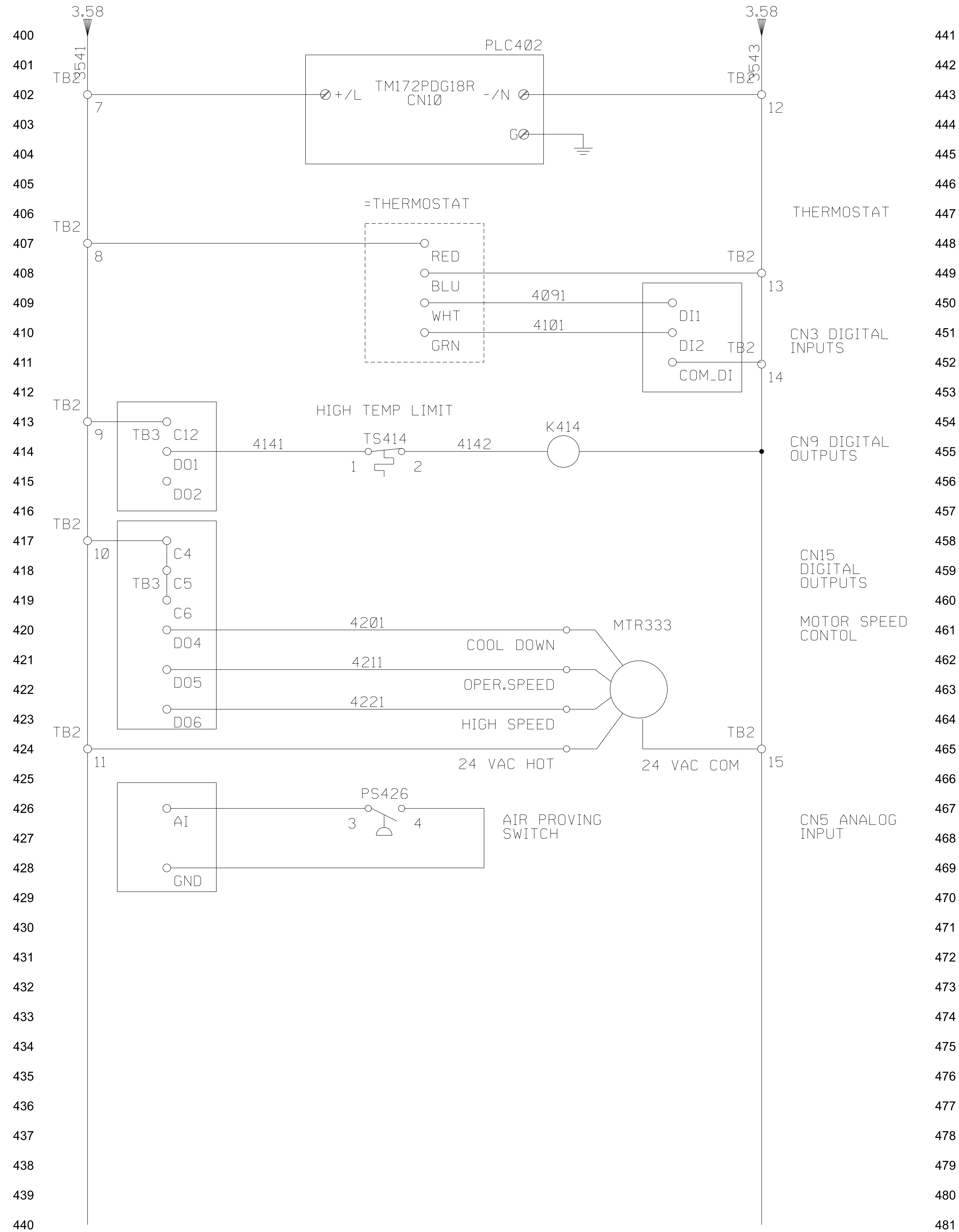


Negative Lead

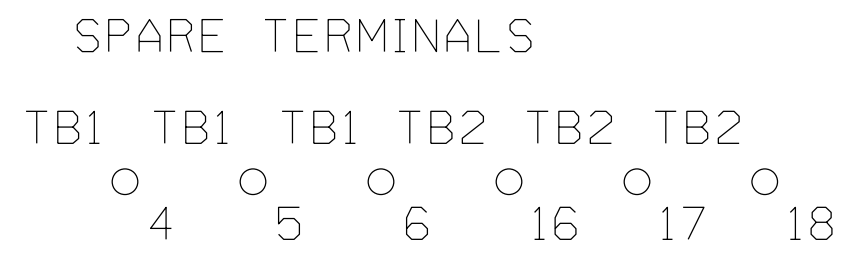


NOTE: 480 VAC 3 PHASE 20 AMP SERVICE PROVIDED BY OTHERS.
NOTE: LAND WIRES DIRECTLY AT FUSE BLOCK.
NOTE: LAND NEUTRAL DIRECTLY AT TERMINAL BLOCK.
NOTE: LAND GROUND DIRECTLY AT GROUND LUG.





441
442
443
444
445
446
447
448
449
450
451
452
453
454
455
456
457
458
459
460
461
462
463
464
465
466
467
468
469
470
471
472
473
474
475
476
477
478
479
480
481



TS414

-PANEL500

